

# CHAIN BRACKET MULTIVENDOR RRU HOLDER

## CHAIN BRACKET MULTIVENDOR RRU HOLDER

is designed for installation of one RRU unit on Cue Dee Chain Bracket. It fits Ericsson, Huawei, Nokia and ZTE RRU models.

### FLEXIBILITY

Together with the Cue Dee Chain Bracket the RRU Holder can be installed on any pole from Ø110 mm up to Ø1070 mm.

By orienting the plates either inwards or outwards the RRU Holder can fit either Ericsson, Huawei, Nokia or ZTE RRU units.

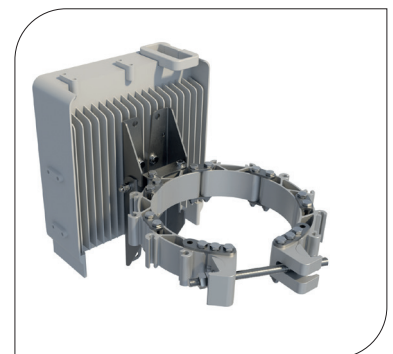
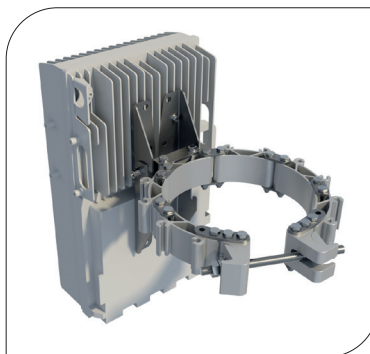
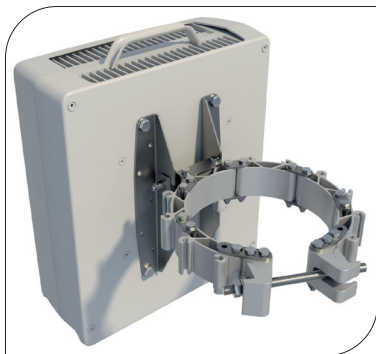
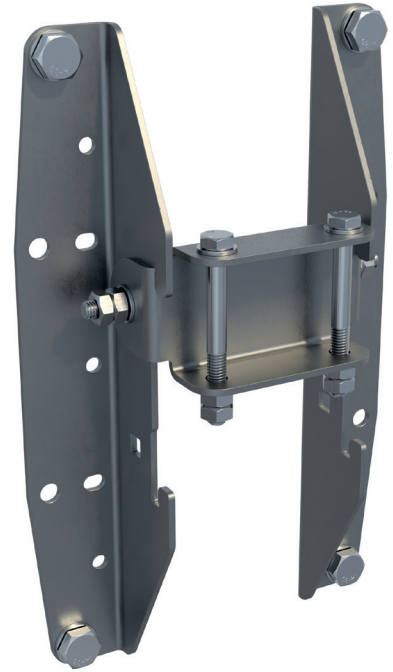
Since Chain Bracket is designed with several profile elements around the pole You can easily hook on additional RRU units around the pole in the same level by just adding RRU Holders.

### QUALITY

All components are made of acid proof stainless steel which gives the support excellent corrosion resistance.

### EASY ASSEMBLY

Installation is very easy thanks to the hook-on design and the cup head square neck bolts which give you a free hand when tightening the nuts.



## ORDER AND TECHNICAL INFORMATION

DRAWING NO: 991087

FUNCTION DESCRIPTION: RRU Holder for installation of one Ericsson, Huawei, Nokia or ZTE RRU unit on Cue Dee Chain Bracket. Together with the Cue Dee Chain Bracket it can be mounted on large poles, monopoles, chimneys etc. with a diameter over Ø110mm.

### MECHANICAL DATA:

Plates: Acid proof stainless steel  
Fasteners: Acid proof stainless steel

### PERFORMANCE

	MAX WIND SPEED		
	km/h	m/s	mph
With RRU unit	240	67	150

PACKAGE DIMENSIONS	LENGTH	WIDTH	HEIGHT	WEIGHT
	300 mm (11,8 in)	155 mm (6,1 in)	85 mm (3,3 in)	1,7 kg (3,7 lb)